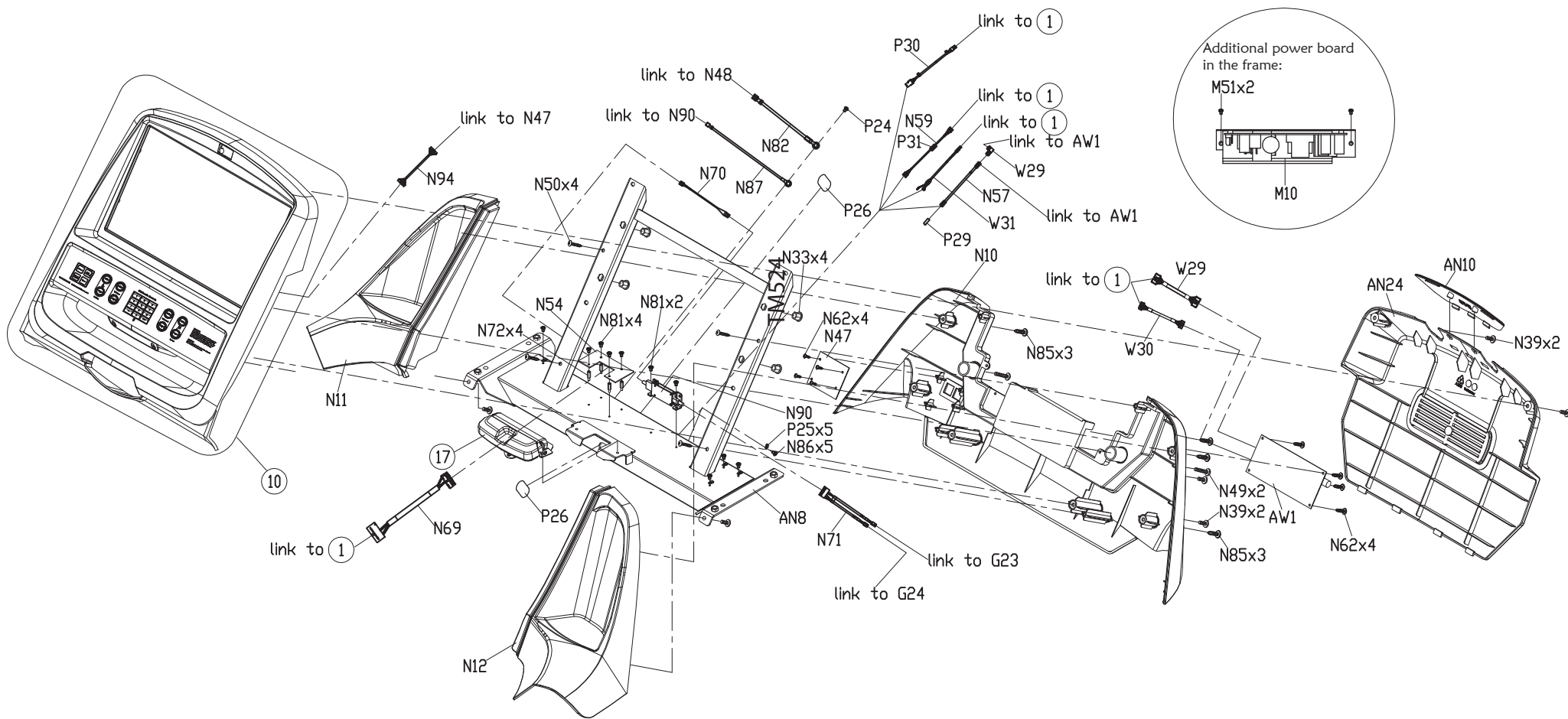
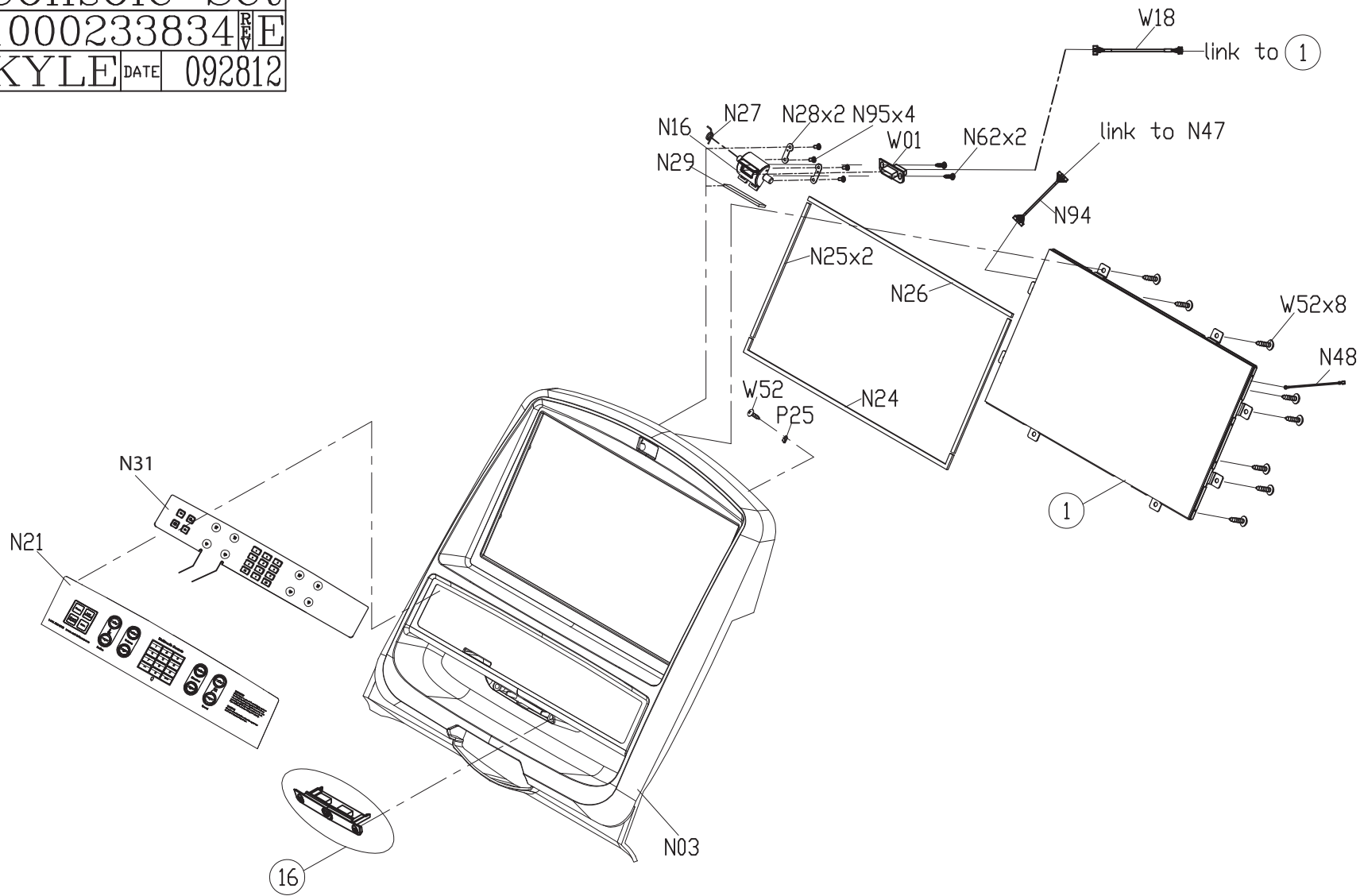


DRAWING NO	TM524-AN6		
PART NAME	Console Set		
PART NO	1000229114	REV	I
APPROVE	ALLEN	DATE	030713



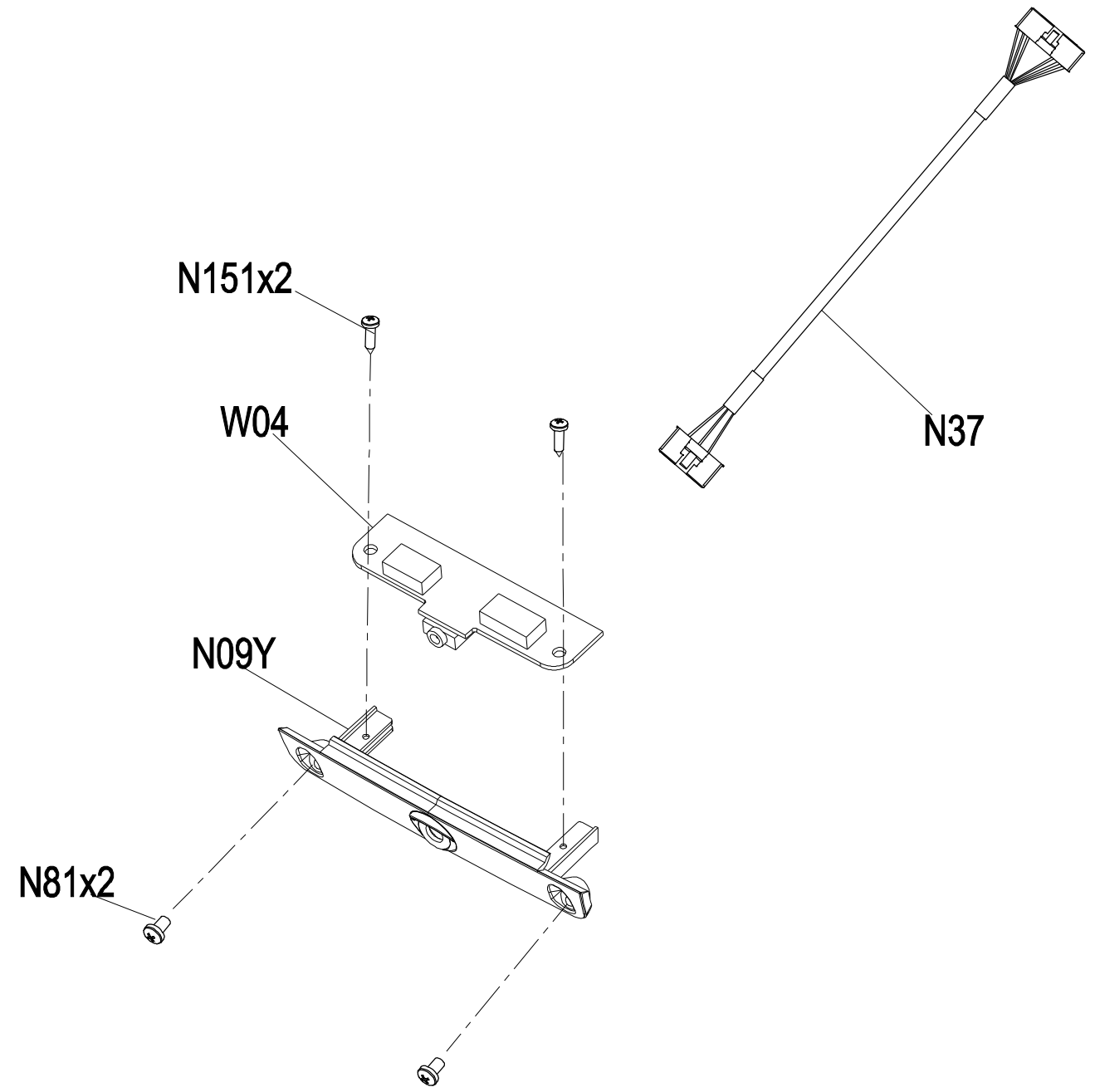
Part NO	Description
1000229114	Console Set;ES;ENG;T3xe

DRAWING NO	TM524-AN10		
PART NAME	Console Set		
PART NO	1000233834		
APPROVE	KYLE	DATE	092812



Part NO	Description
1000233834	Console Set;ES;ENG;T3xe

DRAWING NO	TM524-AN8		
PART NAME	EARPHONE FIXING COVER SET		
PART NO	1000359612	REV	A
APPROVE	Long yong bo	DATE	2016.01.25



Bubble#	OEM Number	Description	Notes
		TFT Module 15.6 inch F G022 xir Black - D/C, NO REPL Part will show as orderable until stock is depleted - <mark>REFURB PART AVAILABLE: *Click here to open Refurb Parts List* <td></td>	
1	1000354904		TFT module only.
17	1000231006	Safety Key Set T-1x-03-C	
9			Discontinued
AN10	0000086724	Cover Console Display TV Rack Printing T	
AN24	1000229245	Repair Cover Console - ABS/PA746 SL/GY/8	
AN4	1000352475	Switch Clip Set Safety Red	
AW1	1000425274	Tuner Module REV 2.0 S20170417 US for	
M10	0000088231	Adaptor 97PS-024 TM501	
M51	004361-00	Screw Phillip BH M4x0.7Px10L Ni Gap	
N09Y	0000089506	TV Earphone Wire Cover ABS/PA746 80435	
N10	1000231624	Console Cover,back,ABS 746,SL/GY,80547,T	
N11	1000231625	Console Cover,Kettle Rack,left,ABS 746,S	
N12	1000231626	Console Cover,Kettle Rack,right,ABS 746,	
N151	008864-A	Screw Special Round 2.9x1.06Px7L(Hi-Lo)	
N16	1000226522	Extrawork USB Cover Printing TM521	
N21	1000229339	Documentation Overlay Manipulate Down En	
N27	1000226524	Torsional Spring - USB SUS304 TM521	
N28	1000226525	Fixing Plate USB SECC 1.0t T-7xi-C	
N29	1000303128	Foam - 48x5x3.0t Black - TM524	
N30	0000085980	Fix Plate Emergency SPHC 1.6t BED TM501	
N31	1000231561	Key,TV,1,24Keys/PET/0.125T,T-1xe/3xe-04-	
N33	004983-A	Insert Nut Hex NKHS-8125-2.5(M8x1.25P)	
N34	0000085362	Screw SH M8X1.25PX20L HS BAN	
N37	1000229115	Wire Ear Phone Board 150(TKP,H6630P1-04+	
N38	0000095985	Washer Flat 8.2x19.0x2.0T BED	
N39	1000228688	SCREW BH M5X0.8PX12L PH BAN	

N47	1000228682	Control Board C-SAFE H001 NA TM519
N48	1000232713	WIRE CONSOLE GND 150(KST,MDFNYD2-2
N49	020016-AB	Screw Phillip BH Stainess M5x0.8Px30L
N50	1000231688	SCREW BH ?p5x1.6Px35L(HI-LO) PH BZN
N53	1000208592	Safety Label WIN CE SOFTWARE 6.0 EP92F
N54	0000086912	Translator Board Console H002 T1x
N57	1000229263	TV Signal 1700 (FM-0086-NBG7)x2
N59	1000229265	COMM Wire Digital 2100(MOLEX,50-70-9408x
N62	008864-A	Screw Special Round 2.9x1.06Px7L(Hi-Lo)
N69	1000229073	Wire Keypad 300(3M1DC 7920-B500x2) T-1x-
N70	1000231005	WIRE H/P - - - 200(2510A-03 XAP-03) T-1X
N71	1000229262	Grip Sensor 300+550mm (TKP,2510A-06+TKP,
N72	010515-00	Copper Pillar M3x12L
N81	0000088743	Screw TRH M3x.5Px6L MT PH CST ZNC F-T
N82	0000091827	Filter Ground Wire 300L KST FDFNYD2-250
N85	1000231078	SCREW BH ?X5X1.6PX12L(HI-LO) PH BZN
N87	1000229267	Wire GND Pulse Board 150(KST,MDFNYD2-250
N90	1000229074	Heart rate receiver,RF HR,Salutron 8600,
N94	1000231012	C-SAFE+CARDIO Wire 300+200(TKP,H20J2-15
N95	020050-Z	Screw BH Sunk M6X1X20 Zinc
Not Shown	0000088231	Adaptor 97PS-024 TM501
Not Shown	1000369229	TV Signal Connector PAL MALE TO F FEMALE
P24	004370-00	Screw Phillip BH M5x0.8Px10L Zn-BL
P25	001682-00	Clip Tie Strap Hold Down HC-0L P
P30	1000231025	WIRE SIGNAL CABLE SET 1900(TKP,H6630P1-
T02	0000084630	Safety Switch R13-69 TM501
T03	1000231004	WIRE CONNECT 400(250X2 6630R1) T-1x-03-C
T09	004614-00	Screw BH 3X10L SM PH BAN POT
T11	0000093244	Screw Phillip BH Tapped 4x8L Zn-BL
W01	1000213752	Control Board USB H001 U10CA1
W04	0000094434	Ear Phone Board Set
W18	1000229119	USB Wire 350(JST,XAP-06V-1)x2
W29	0000088957	Wire Tuner Signal 250(PAP-12V-Sx2) T1xe

Should be installed when the units are installed for 110volt units.
Coax adapter for tuner.

W30	1000229303	Signal CONN 250mm (JST,PAP-06V-S)x2	
W31	1000229304	ADAPTOR - 20AWG 2100mm (TKP,H6657R1-04+J	See service bulletin TV Power Connections.
W52	1000231078	SCREW BH ?X5X1.6PX12L(HI-LO) PH BZN	
1	Not Available	TFT module	Discontinued - See the service bulletin, "Console History/Replacement".
16	Order Components	Earphone Board Kit	
AN8	Part of Kit 9	Painting Console Base Frame Set Black T-	
AN9	Part of Kit 17	Safety Key Cover-Extrawork,up,Print,-,TM	
N03	Part of Kit 10	Console Faceplate PC 510 Gray/80435 T-1x	
N44	Part of Kit 17	Cover Safety Key down ABS 746 137C	
P26	N/A	GROMMET NYLON WHT Panel Board Set With touch screen 15 - <mark>REFURB PART AVAILABLE: *Click here to open Refurb Parts List*</mark>	
1	1000365697		Discontinued - TFT module only. Discontinued - See the service bulletin, "Console History/Replacement".
10	1000356291	Console Cover Set up T-3xe-05-C TM524 Console Cover Set up English TM709-1US - D/C, NO REPL Part will show as orderable until stock is depleted	Discontinued - See the service bulletin, "Console History/Replacement".
10	1000375456		Discontinued - See the service bulletin, "Console History/Replacement".
9	1000233834	Console Cover Set - up ES 1US T-3xe-04-C	Discontinued - See the service bulletin, "Console History/Replacement".
9	1000356291	Console Cover Set up T-3xe-05-C TM524 Console Cover Set up English TM709-1US - D/C, NO REPL Part will show as orderable until stock is depleted	Discontinued - See the service bulletin, "Console History/Replacement".
9	1000375456		Discontinued - See the service bulletin, "Console History/Replacement".
9	1000229114	Console Set EKS H001 GUI B1.1 OS 3.5.8	Discontinued - See the service bulletin, "Console History/Replacement".
AN4	1000231246	Safety Switch Set BL Rope TM501-1US TM50	Discontinued - Discontinued

AW1
M10

1000232091
0000088974

Tuner module set
TV Power Adaptor Board Set TM501 SBOM

Discontinued - Please return for inspection if
produced after serial# CTM503G120902011
Discontinued - Discontinued